

jaga

CLIMATE DESIGNERS

STRADA HYBRID

The most compact heating unit for heating or heating + cooling

Also suitable for Jaga Light cooling

- **Efficient and effortless heating with the lowest water temperature**
- **Energy-efficient non-condensing cooling in combination with any heat pump that can supply cooling water**
- **Improves the seasonal efficiency of each heat pump**
- **Makes sure that the condensing boilers are operating at their lowest temperature and as efficiently as possible.**

“From the designers of the first low temperature heater.”



Strada Hybrid T16
H50 x L120

● 55/45/20: 2754 Watts

● 16/18/27: 740 Watts



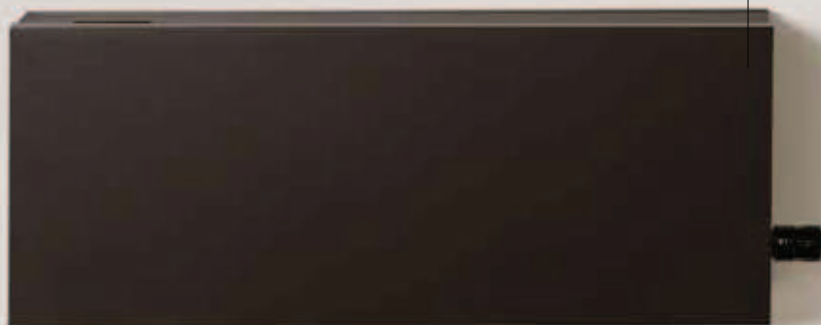


STRADA HYBRID





*Strada Hybrid T11
H35 x L100
55/45/20: 1600 Watts
Graphite black RAL 7021 color with Jaga JB thermostat head.*



HEATING OR HEATING + LIGHT COOLING: THE IDEAL HEAT PUMP HEATING UNIT

HIGH OUTPUT WITH ALL WATER TEMPERATURES, HOT AND COLD

New, environmentally-friendly installations require much better thermal units. This ensures a comfortable temperature at a low water temperature and a refreshing coolness with non-condensing cooling. Jaga Hybrid heating units are equipped with the brand new DBH system, DB stands for Dynamic Boost, to considerably increase the power of the heater. The H of Hybrid stands for the dual effect: heating and cooling.

- perfectly controlled heating at the lowest water temperature thanks to the hybrid system's reaction speed
- by default, suitable for energy-efficient non-condensing cooling in combination with any heat pump.

MOST RESPONSIVE OUTPUT SYSTEM CRUCIAL FOR HEATING AND COOLING DOWN

Heating

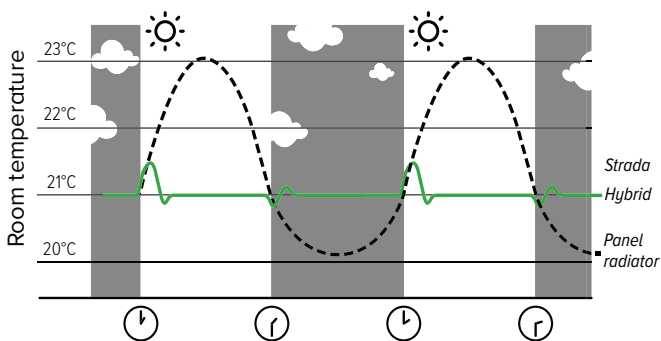
Is the oven or dishwasher on? If the sun shines inside? Your home is a dynamic given with constantly changing temperature conditions and comfort requirements. A quickly reacting heater such as Strada Hybrid anticipates this and accurately controls the temperature in all circumstances.

Jaga light cooling

The reaction capacity is also crucial for non-condensing cooling. In order to prevent moisture problems, central condensation monitoring must be provided. This can only work efficiently with a very fast-acting delivery system, which immediately adjusts the cooling system in case of a sudden rise in humidity.

More than ever, the responsiveness determines your energy consumption and your comfort.

COMPARISON OF THE REACTION TIME IN CASE OF TEMPERATURE CHANGES



MULTIFUNCTIONAL INTELLIGENCE

Auto-change-over mode (Standard)

You do not have to do anything at all to switch between heating and cooling down. Due to its accurate room – and water temperature sensors, the hybrid is fully automated. To achieve the requested temperature you can set 3 different fan speeds, depending on the room where the heating unit is located: bedroom mode max. 26 dB(A), comfort mode max. 30 dB(A) or maximum mode for rapid heating and cooling.

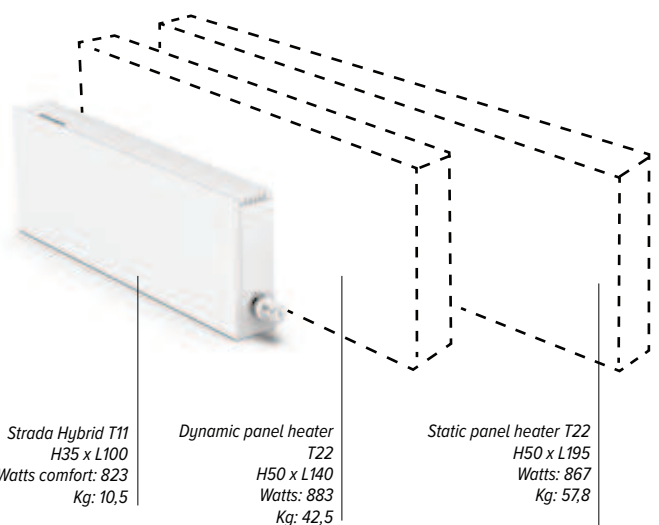
With breeze feature

The Hybrid heater's DBH system can also be activated if there is no cooling water, so without a heat pump. The vicinity of the heater can already feel less warm with just the air movement of the fans.

IDEAL FOR RENOVATIONS AND A SWITCH TO A LOWER WATER TEMPERATURE NO LARGER HEATER REQUIRED

The lower the water temperature, the less heat the heater can emit. Extra large heating units are therefore required. But not so with the Strada Hybrid. The DBH system provides sufficient additional power, and you can now switch to a very low water temperature with identical dimensions. **That is why the Strada Hybrid is the very best heat pump heating unit.**

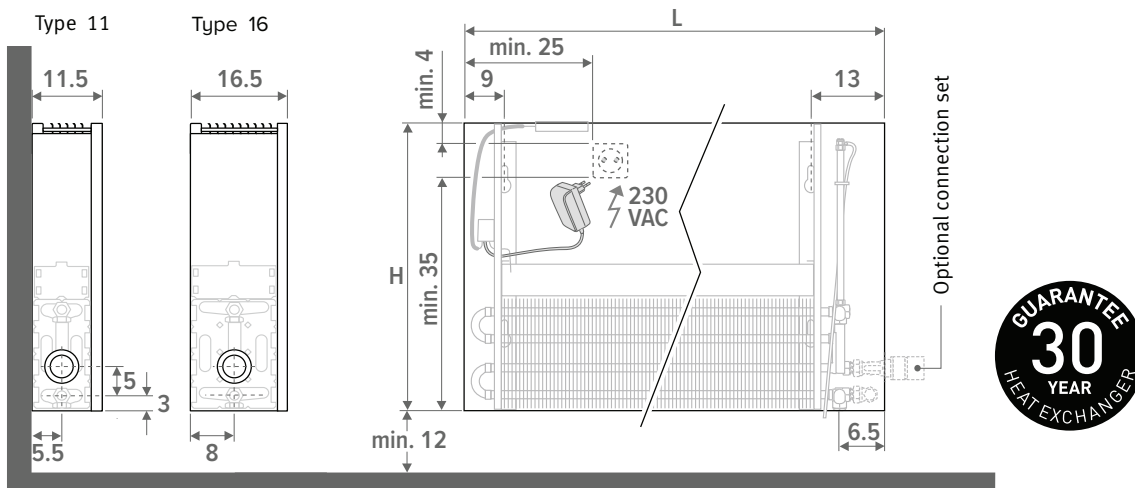
COMPARISON OF 850 WATTS AT 45/35/20 °C.



Tip: For all info on the Hybrid system see www.jaga.com/technology/heating/dbh.html

TECHNICAL INFORMATION

DIMENSIONS (in cm)



DELIVERY

Easy to install by one person. Delivered in a cardboard box, which can also be used as protection on site after installation.

Standard delivery:

- Low-H₂O heat exchanger with wall brackets and fixing kit, air vent 1/8" and drain plug 1/2"
- casing for connection left or right at low level
- cover plate in stainless steel effect for the side panel at the opposite end from the valve
- easy to install DBH-unit with operation, control and 24VDC power supply
- clear installation instructions

⚠ This heater is not equipped with a condensation monitor. It has to be integrated into the installation. (only for cooling)

COLOURS

Environmentally-friendly, scratch-resistant and UV-resistant powder coating.

Standard colours:

Colour 133: traffic white RAL 9016
soft touch lightly structured satin powder coating
Colour 001: sandblast grey
fine texture metallic powder coating

Other colours:

see colour chart on www.jaga.com

ELECTRICAL CONNECTION

The DBH system requires an electrical outlet near the heating unit. If it has a height of 50, 65 and 95 cm, an electrical outlet or power cable can be installed in the casing. If the height is 30 cm, only the power cable can be installed inside the casing. Connection to an external electrical outlet is always possible. Do not connect the electrical and hydraulic connection to the same side of the coil.

HYDRAULIC CONNECTION

Heating

Supply / return on the bottom left or right, to the wall or floor. Wall connection via bottom or completely invisible within the cladding with valve set 225/265.

Heating and cooling

The same connections and valve sets can be used for heating and cooling as for single heating. For the valve sets, use the version with the Heimeier thermostat head HC for heating and cooling or the version with a manual valve. It doesn't get any simpler!

OPERATION OF THE DBH SYSTEM

Strada Hybrid is by default equipped with the DBH-control in Auto-Change-Over mode. The desired room temperature is set via a room thermostat or the heating unit's thermostat head. The Strada Hybrid heater has accurate sensors for both the room and water temperature. DBH automatically switches between standby / heating / cooling based on the measured values.

- suitable for heating or heating and cooling with the thermostat head HC or the manual button MA.
- noise level monitoring, officially measured according to ISO 3741: 2010
- with breeze feature for a fan effect, does not depend on the water temperature.
- colored LEDs indicate the feature and the fan speed.

⚠ Het DBH-systeem will not control the heat pump or the boiler and therefore cannot replace a room thermostat

NOISE AND POWER ACCORDING TO THE LATEST EUROPEAN STANDARDS

The heat output of the Strada Hybrid was measured according to the latest European standards regarding heating units with integrated fans. Jaga is one of the first to comply with the new reference standard **EN 16430**.

The sound power (L_w) of the Strada Hybrid is measured in accordance with **ISO 3741:2010**. As is customary for the sound pressure (L_p), room attenuation of 8 dB(A) is assumed for room content of 100 m³ and a reverberation time of 0.5 sec.

HOW TO SELECT STRADA HYBRID

Strada Hybrid is selected in comfort mode, **position 2 in bold** in the output tables. This guarantees a quiet operation at a maximum of 30 dB(A). Position 1 is an extremely quiet bedroom setting with a maximum of 26 dB(A). Position 3 provides a maximum boost and the very high output serves primarily to heat up and cool down a room as quickly as possible. In this mode the noise is between 42 and 46 dB(A).

How loud is a decibel?

dB(A)	Perception	Examples
10	hardly to hear	breathing, a falling leave
20	just audible	radio studio, rustling of tree leaves
30	very quiet	library (30 to 40), whispering
40	quiet	living room, quiet classroom, soft buzz, fridge
50	limited sound	air conditioning, normal conversation, dishwasher